

Thermostats

Type GRT (GRT-ER) Thermostats

APPLICATIONS

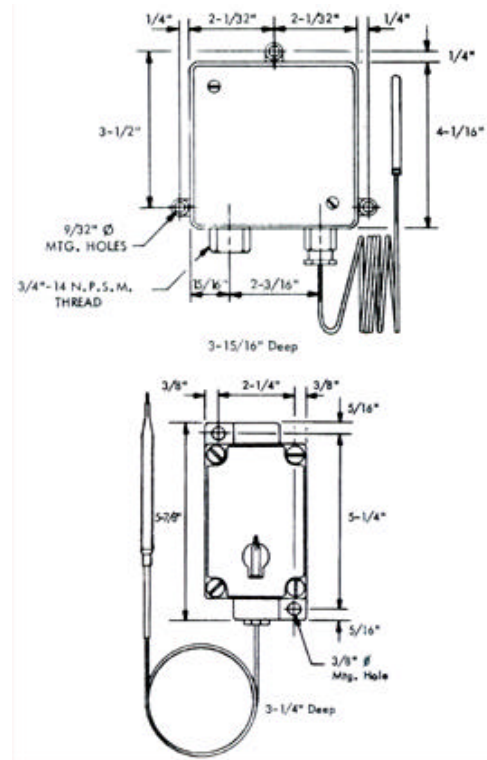
Suitable for controlling temperature in many electric heat applications such as outdoor locations, hazardous locations and comfort heating applications in both non-hazardous and hazardous locations. The most common application for the "bulb and capillary type" controllers is pipeline tracing. The other units are most commonly used for industrial space heating.

STANDARD FEATURES

Heavy duty electric thermostats with single pole, double throw contacts which open or close on temperature rise. Assemblies are rated 22 amperes at 277 Volts AC.

OPTIONS

Protective bulb wells are available for all of the "bulb and capillary" type units.



Catalog Number	Temperature Range	Cap.Size Dia.XLgth	Bulb Size Dia.XLgth	Enclosure Type	SCH (*)	Optional T-Well	Weight (lbs.)
GRT-15	0-150F	.062"x120"	.290"x2-1/2"	Raintight	A	WEL 11	2
GRT-25	100-250F	.062"x120"	.290"x2-1/2"	Raintight	A	WEL 11	1
GRT-35	200-350F	.062"x120"	.366"x2-1/4"	Raintight	A	WEL 16	1
GRT-50	325-475F	.062"x120"	.366"x2-1/4"	Raintight	A	WEL 16	1
GRT-15ER	0-150F	.062"x72"	.290"x2-1/2"	ExpProof	B	WEL 11	3
GRT-25ER	100-250F	.062"x72"	.290"x2-1/2"	Raintight	B	WEL 11	3
GRT-35ER	200-350F	.062"x72"	.366"x2-1/4"	Raintight	B	WEL 16	3
GRT-50ER	325-475F	.062"x72"	.366"x2-1/4"	Raintight	B	WEL 16	3
GRT-90	30-110F	internal	none	Standard	C	none	3
GRT-80ER	20-80F	internal	none	Raintight	D	none	3