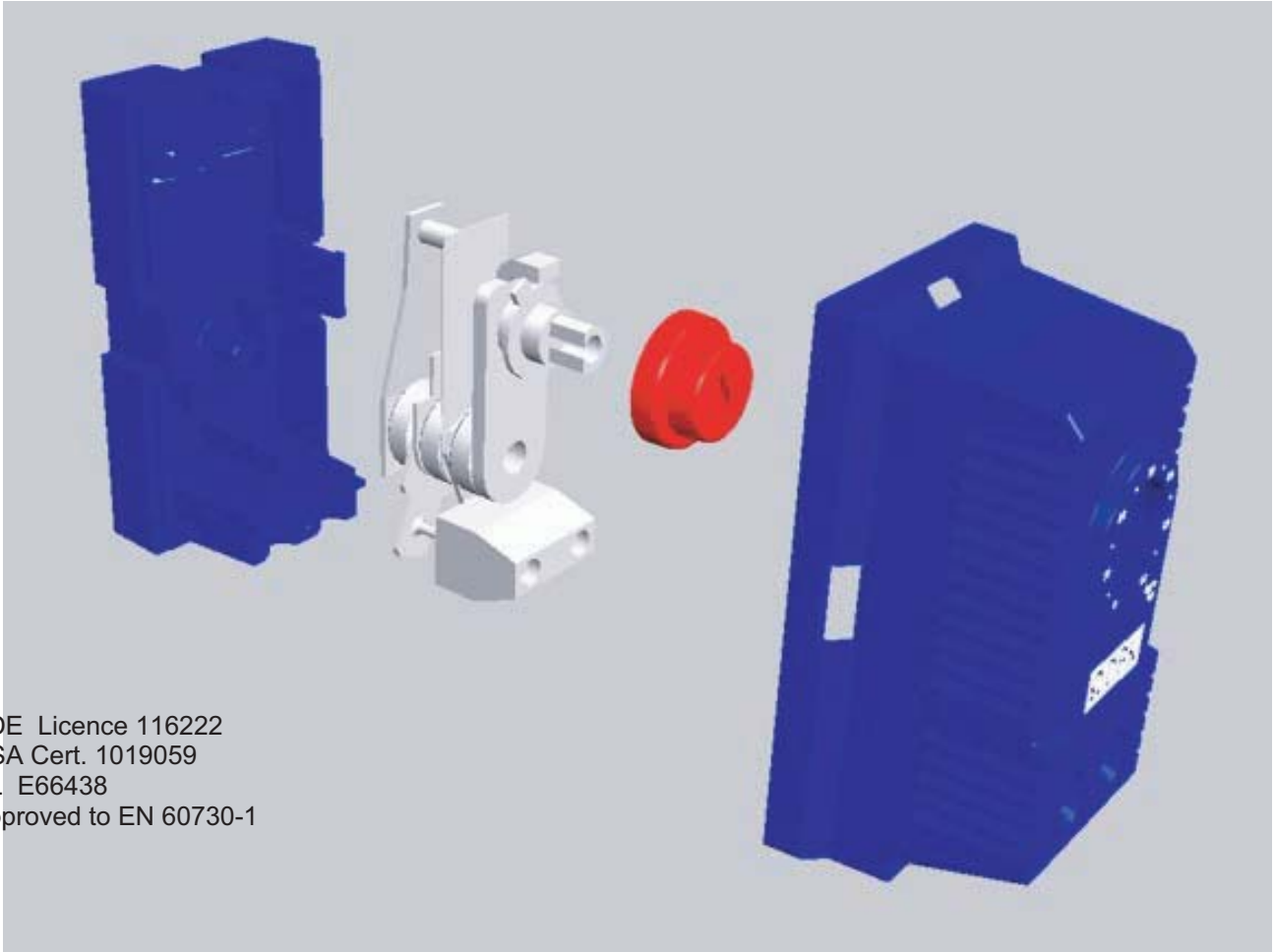


DIN Rail Mountable Thermostat A319

Variable temperature control thermostat assembly, for building in to equipment enclosures. Primarily for use with DBK range of PTC heaters (Convection & fan assisted).



VDE Licence 116222
CSA Cert. 1019059
UL E66438
Approved to EN 60730-1

Technical Specification:

Class II (Reinforced insulation) 3750v flash test voltage.

115Vac 15A ,230Vac 16A, 12/24Vac or dc 5A@12vdc (All resistive loads)

IP30 (IP20 terminal entry holes)

To be mounted on 35mm DIN rail (EN50022)

Minimum of 8mm creepage and clearance between any live part and the outside of the plastic.

Models:

DBK Part No: **FGT200** – Close on rise – User adjustable temperature range 0 to 60°C (Blue Button)

DBK Part No: **FGT100** – Open on rise - User adjustable temperature range -10 to 50°C (Red Button)

Thermostat Lifetime:

100000 cycles of automatic operation

Limitations for use:

For Building-in only.

User must not work on live equipment.

User must not disassemble.

Part will be labelled:

DBK

115Vac 15A

230Vac 16A

12-24Vac/dc 5A

Date of manufacture

Part number

IP30

Place of manufacture:

DBK Technitherm Ltd,

Unit 11 Llantrisant Business Park,

Llantrisant,

Rhondda Cynon Taff,

CF72 8LF

++44 (0) 1443 237 927 Phone

++44 (0) 1443 237 867 Fax

www.dbktechnitherm.ltd.uk

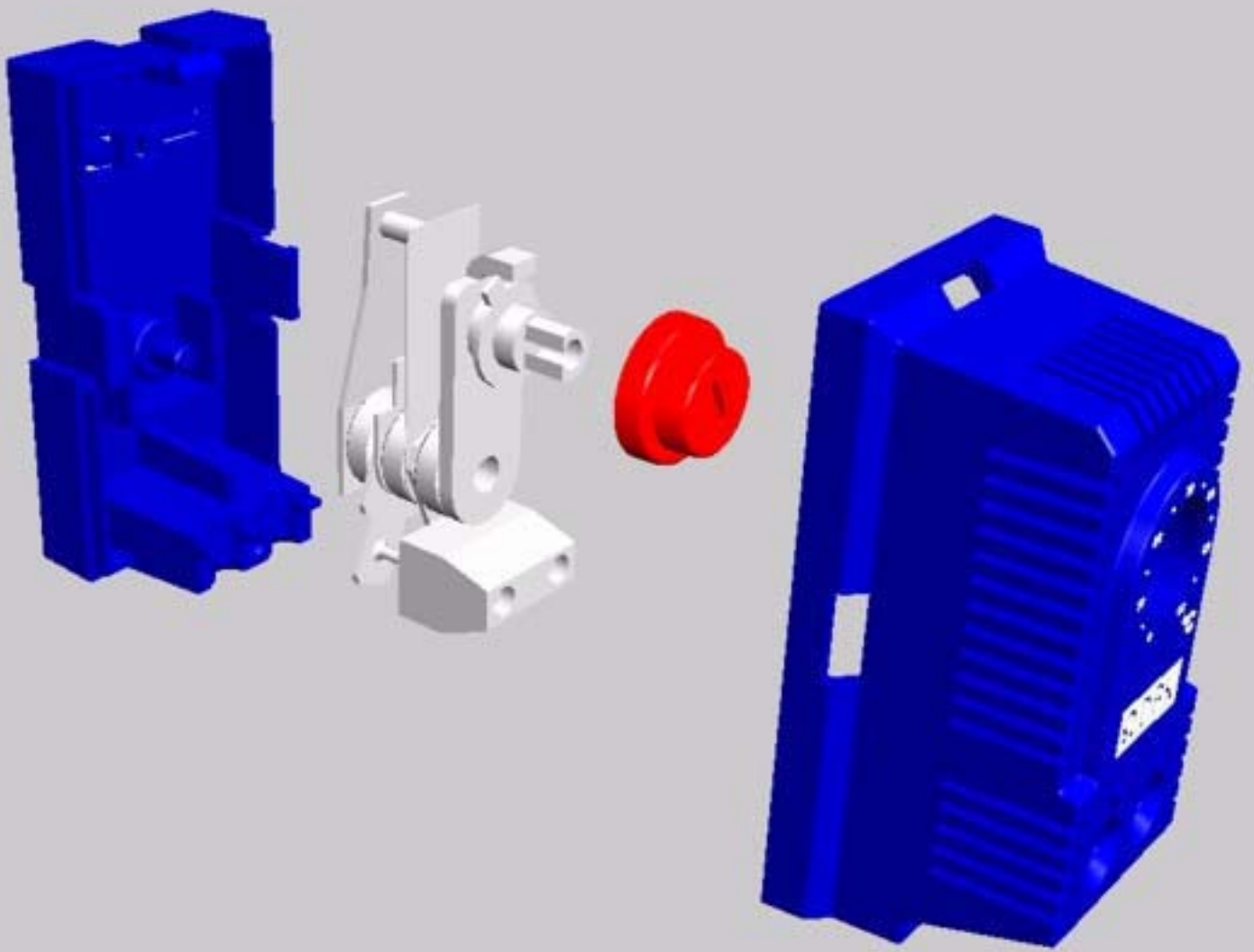
Certification:

CE

VDE safety mark

UL recognised mark

CSA mark



Unit Packaging:
44x34x66mm cardboard.

Adhesive label on box:



Part Number: FGT100
Adjustable DIN Rail Thermostat (Heater Control) -10°C to 50°C

16 (3) A 115/230~
5A 12-24Vdc

IP30



LA0028 Issue 1



Part Number: FGT200
Adjustable DIN Rail Thermostat (Cooling Control) 0°C to 60°C

16 (3) A 115/230~
5A 12-24Vdc

IP30



LA0029 Issue 1

Distributor:



European Thermodynamics Limited
Intelligent Thermal Management

PO Box 6744
Leicester LE2 6WS, United Kingdom

Tel: +44 (0)116 292 1501
Fax: +44 (0)116 292 1503
info@etdyn.com
www.etdyn.com

Business registration 4345086 VAT registration 787 3265 86